



HIGH PERFORMANCE ICE AND SNOW MANAGEMENT EQUIPMENT

**TRACTOR SNOW PLOWS
TRUCK AND UTILITY VEHICLE SNOW PLOWS
GRITTERS AND SWEEPERS**





Over 70 models of machines for winter road maintenance

Access to top quality technical equipment, conforming to high requirements is considered to be a challenge at the designing stage.

To meet these needs, we offer top quality technological solutions, based on 35-year experience in designing agricultural and municipal equipment. We will help to achieve your success !

Many have already trusted us. We are passionate about designing machines to meet any needs !



TABLE OF CONTENTS	PAGE
Smart / Smart K / Lite 150	4
City	5
Uni	6
Ram	8
PSV	9-10
PSV Up / PSV Up H	11
AlpS	12 - 13
AlpS UP	14
Jump	15
Olimp	16
Power	17
PoliS	19
Tornado	20
Mop / Sand	21
Sahara	22
Vortex / Gobi	23
Table of characteristics and additional equipment	24 - 30



SNOW PLOWS FOR MUNICIPAL TRACTORS LIGHT CLASS

Smart 120, Smart 150, Smart 180, Smart 200, Smart 220,
Smart 120 K, Smart 150 K, Smart 180 K, Lite 150, Lite 180

SNOW PLOWS LIGHT CLASS

City 150, City 180, City 200, City 220



Single moldboard, SMART snow plow is especially designed to clear sidewalks, streets or squares of even surface, as well as tight residential areas such as driveways and small condo complexes. Clearing bar, made of rubber, polyurethane or hard-wearing

steel is tapered shaped, which helps to create slight, protective layer of snow at the cleared surface (stamped concrete, granite slabs, pavement, asphalt, paver brick, etc.). Thin film protects high-end surfaces against scratches and other damage.

City snow plows, with permissible front load up to 1.5 ton, have been designed to operate with various types of vehicles. To make it possible, a lot of different types of adaptation frames have been developed. These plows are used to clear snow from squares, sidewalks or residential driveways and are suitable for both, residential or commercial assignments. Two-wing moldboard, allows to operate in five, fixed positions as well as different angle

combinations. City snow plows are equipped with two rams, driven off of the vehicle's hydraulic system, which therefore allows for independent and stepless control over the wings, within the ± 300 range. Optional, adjustment links, allow to manually adjust the plow angle to the right or left. Releasing a pin, moving the wing in the desired direction, then re-inserting the pin in the appropriate hole, sets the wing position.



Smart 180



Lite 150



SaMASZ frame system as a innovative design of hitch assembly and safety device, features:

Smart range standard equipment:

- rolled shield
- stepless hydraulic adjustment of the shield
- spring protection (4 springs)
- 3 - point linkage Cat. 1 hitch
- clearing bar at choice
- electric connection 12 V (lighter socket)
- LED lights 12V or 24 V
- support leg
- powder painting

Lite range standard equipment:

- rolled shield
- stepless hydraulic adjustment of the shield
- spring protection (2 springs - optional)
- hitch for municipal triangle (475 mm distance between lower links)
- ground following
- sliding skids
- 2 clearing bars – rubber and steel (turnable)
- LED lights 12 V or 24 V
- electric connection 12 V (lighter socket)
- support leg
- safety bumper
- powder painting

Smart / Lite range optional equipment:

- adapter for triangle
- support wheels (cpl.)
- sliding skids (cpl.)

City range standard equipment:

- 2 independent shields
- stepless hydraulic adjustment of the shield
- inclined clearing bars
- clearing bar at choice
- ground following (only with SaMASZ frame)
- electric connection 12 V (lighter socket)
- LED lights 12 V or 24 V
- support leg
- safety bumper
- powder painting

City range optional equipment:

- rubber, steel, poliurethane or Mutter-kombi clearing bar
- adaptation frames
- control panel - MULTIFUNCTION
- support wheels (cpl.)
- sliding skids (cpl.)
- marking flags

- transverse ground following of ± 6 0
- damage protection - frame's break-off point setting, adjusted with quantity of bolts and their class
- adaptation with wide range of different vehicles possible

Clear uneven surfaces down to the pavement with SaMASZ frame system.



SNOW PLOWS LIGHT CLASS

Uni 180, Uni 200, Uni 220



The Uni plough is a lightweight straight blade plough for low-power tractors (20-60 hp), mini loaders and urban cleaning vehicles of the Multicar type. It is used for snow clearing from roads, sidewalks, car parks and other urban areas.



UNI range standard equipment:

- rolled shield
- stepless hydraulic adjustment of the shield
- spring protection (6 springs – adjustable)
- adjustable angle of attack
- ground following (only with SaMASZ frame)
- clearing bar at choice
- electric connection 12 V (lighter socket)
- LED lights 12 V or 24 V
- support leg
- safety bumper
- powder painting

Optional equipment:

- rubber bar 30 mm
- steel bar 8 mm
- poliurethan bar 30 mm
- KOMBI bar 25 mm
- rubber - corundum bar 40 mm
- support wheels (cpl.)
- sliding skids (cpl.)
- safety flags with locks 50 x 50 (cpl.)

Advantages:

- variable blade angle from 0°, 7°, 14°, 21°
- steering angle of the mouldboard to the right and left by 30°
- transverse ground tracking on a $\pm 6^\circ$ frame
- structure of the mouldboard allowing for close passage by the walls
- lightweight design
- double overload protection - tiltable mouldboard and shear screws
- possibility of inserting a hook under each vehicle (City series plough frame system)
- possibility of fitting with support wheels or skids as an option
- the plough does not require lubrication - sliding sleeves are used on the joints



Frame system

SaMASZ ploughs (CITY, UNI, PSV, RAM, Alps, OLIMP series) can be aggregated with practically any type of vehicle. The patented frame system allows you to change the hook quickly by removing only 8 screws. It is possible to aggregate them with many municipal vehicles, MULTICAR type, construction machines e.g. Big Avant, Kramer, Weidemann, JCB, Manitou





SNOW PLOWS MIDDLE CLASS

RAM 250, RAM 270, RAM 300



Middle class, RAM snow plow, with hydraulic angle change system and permissible front load, up to 6 tons is designed to clear snow out of the roads, parking lots and other fairly uneven areas. It can opera-

te with municipal tractors, agricultural tractors with cat.II front link or any other vehicle thanks to the patented system of SaMASZ adaptation frames.



Folded, full-trip moldboard with trip springs

RAM range standard equipment::

- rolled shield
- stepless hydraulic adjustment of the shield
- spring protection (6 springs – adjustable)
- adjustable angle of attack
- ground following (only with SaMASZ frame)
- clearing bar at choice
- electric connection 12 V (lighter socket)
- LED lights 12 V or 24 V
- support leg
- safety bumper
- powder painting

Optional equipment:

- rubber bar 30 mm
- steel bar 8 mm
- poliurethan bar 30 mm
- KOMBI bar 25 mm
- rubber - corundum bar 40 mm
- support wheels (cpl.)
- sliding skids (cpl.)
- safety flags with locks

Advantages:

- hydraulic steering left/right up to 30°,
- transverse ground following up to ±6 0
- double overload protection:
- full-trip moldboard and sheared bolts
- suitable for many vehicles (SaMASZ frame system: PSV range)
- support wheels and sliding skids as optional equipment

SNOW PLOWS MIDDLE CLASS

PSV 161, PSV 181 , PSV 201 , PSV 231, PSV 251, PSV 271, PSV 301



Middle class, PSV snow plows, with permissible front load - up to 6 tons, are designed to operate with agricultural tractors. Owing to the adaptation frame system (adapters), the unit can be aggregated with practically any other type of self-propelled machines, such as: telescopic loaders, excavators or backhoe-loaders, as well as steer skids or utility vehicles, etc. PSV snow plows are used to cle-

ar snow from parking lots, roads, squares and any other paved or unpaved areas. Snow plows are often exposed to obstacles hidden underneath the snow, owing to this fact, SaMASZ snow plows have been equipped with various safety features (trip-back clearing bar, hydraulic safety system, adapter safety system).

Main characteristics of PSV Up and PSV Up H snow plows:

- operate with all popular trucks or tractors equipped with front din plate conforming to EN 15432-F1 (DIN 76060)
- feature mounting unit with additional cylinder for plow rise
- PSV Up - means, that the plow has no hydraulic pump - vehicle must supply hydraulics
- PSV Up H - the „H“ symbol means, that the plow has its own hydraulic pump - it is independent of any vehicle
- trip back mechanism allows for deflection up to 43° and the moldboard to trip back and over, which therefore allows for sliding over 24 cm high obstructions
- own hydraulic assembly allows for precise and independent maneuvers



Control panel - MULTIFUNCTION



Support wheel only for PSV 161 and PSV 181



Slide



Trip back mechanism, allows for clearing bar deflection up to 43° and the section to trip back and over, which therefore allows to slide over 24 cm (9 1/2 „) high obstructions.



SNOW PLOWS

PSV 231 Up, PSV 251 Up, PSV 271 Up, PSV 301 Up, PSV 231 Up H, PSV 251 Up H, PSV 271 Up H, PSV 301 Up H



Main characteristics of PSV Up and PSV Up H snow plows:

- operate with all popular trucks or tractors equipped with front din plate conforming to EN 15432-F1 (DIN 76060)
- feature mounting unit with additional cylinder for plow rise
- PSV Up - means, that the plow has no hydraulic pump - vehicle must supply hydraulics
- PSV Up H - the 'H' symbol means, that the plow has its own hydraulic pump - it is independent of any vehicle
- trip back mechanism allows for deflection up to 43° and the moldboard to trip back and over, which therefore allows for sliding over 24 cm high obstructions
- own hydraulic assembly allows for precise and independent maneuvers

PSV Up and PSV Up H range standard equipment:

- own lifting system
- 2 independent shields
- stepless hydraulic adjustment of the shield
- inclined clearing bars
- ground following
- clearing bar at choice
- electric connection 12 V (lighter socket) / Electric connection 24 V (version with hydraulic pump)
- road lights
- LED lights 12 V or 24 V
- lightening
- manometer
- safety bumper
- powder painting
- own hydraulic unit + oil pump + steering panel STANDARD UP H (24 V) - only in PSV UP H

Optional equipment:

- rubber bar 50 mm
- steel bar 10/20 mm
- poliurethan bar 50 mm
- KOMBI bar 36 mm
- rubber - corundum bar 50 mm
- hydraulic unit with oil pump
- plate EN 15432 - F1 DIN 76060 (From the vehicle's side)
- support wheels (cpl.)
- sliding skids (cpl.)
- srotection against snow throwing
- safety flags



Support wheels with stepless, threaded adjustment, to set scraping height

Küper's slide Sliding skid of highest durability

Slide



Support wheels with stepless, threaded adjustment, to set scraping height

Küper's slide Sliding skid of highest durability

Slide

PSV range standard equipment:

- 2 independent shields
- stepless hydraulic adjustment of the shield
- inclined clearing bars
- clearing bar at choice
- ground following (only with SaMASZ frame)
- electric connection 12 V (lighter socket)
- LED lights 12 V or 24 V
- support leg • Safety bumper
- powder painting

Optional equipment:

- rubber bar 30 mm
- steel bar 8 mm
- poliurethan bar 30 mm
- KOMBI bar 25 mm
- rubber - corundum bar 40 mm
- support wheels (cpl.)
- sliding skids (cpl.)
- control panel - MULTIFUNCTION / PLUS
- protection against snow throwing
- safety flags



SNOW PLOWS HEAVY DUTY CLASS

AlpS 271, AlpS 301, AlpS 331, AlpS 361, AlpS 401



AlpS range snow plows are heavy duty contractor machines with permissible front load - up to 12 tons. These are twice as rigid as middle class PSV snow plows and can be characterized by their versatility:

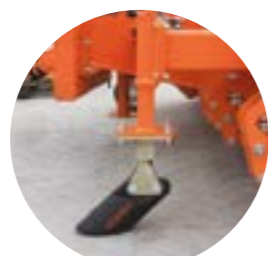
- a) for snow and ice maintenance - mounted on tractor's front link, on telescopic loaders, on loader-excavators of such brands as: Cat, JCB, HSV, Liebherr, Komatsu, Volvo, Schaffer, Kramer, Manitou
- b) for non-commercial use as light class earth movers or for road levelling, etc.



Support wheels



Slide

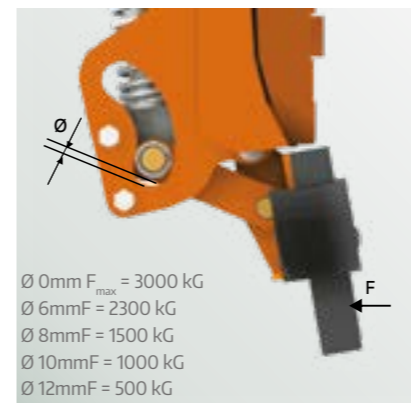


Küper's slide
Sliding skid of highest durability



Divided clearing bar, trip-back assembly

- in AlpS 361 and 401: 6-section assembly
- in AlpS 301 and 331: 4-section assembly



Clearing bar, trip-back mechanism

Unscrewing or screwing the screw makes the rollers of the blade tilting mechanism move and as a result, the force of the blade release is adjusted to the maximum of 80°.

AlpS range standard equipment:

- 2 independent shields
- stepless hydraulic adjustment of the shield
- inclined clearing bars
- hydraulic overload protection from 361 type
- clearing bar at choice
- ground following (only with SaMASZ frame)
- electric connection 12 V (lighter socket)
- LED lights 12 V or 24 V
- support leg
- safety bumper
- powder painting

Optional equipment:

- rubber bar 50 mm
- steel bar 10/20 mm
- poliurethan bar 50 mm
- KOMBI bar 36 mm
- rubber - corundum bar 50 mm
- frame type I or II
- adapter for triangle
- hydraulic overload protection
- multifunctional steering panel / Plus
- support wheels (cpl.)
- sliding skids (cpl.)
- protection against snow throwing
- safety flags



1. Rubber, 2. Polyurethan-Vulkollan 3. Steel HB 400, 4. Rubber - corundum, 5. KOMBI (Steel rubber - corundum)



SNOW PLOWS HEAVY DUTY CLASS

AlpS 301 Up, AlpS 331 Up, AlpS 301 Up H, AlpS 331 Up H



SNOW PLOWS HEAVY DUTY CLASS

JUMP 280



Main characteristics of AlpS Up and AlpS Up H:

- Designed to operate in the most difficult conditions
- operate with all popular trucks or tractors equipped with front din plate conforming to EN 15432-F1 (DIN 76060)
- AlpS Up - means, that the plow has no hydraulic pump - vehicle must supply hydraulics
- AlpS Up H - the „H“ symbol means, that the plow has its own hydraulic pump - it is independent of any vehicle



AlpS Up and Up H range standard equipment:

- own lifting system
- 2 independent shields
- stepless hydraulic adjustment of the shield
- inclined clearing bars
- hydraulic overload protection
- clearing bar at choice
- ground following
- electric connection 12V (lighter socket)/Electric connection 24V (version with hydraulic pump)
- road lights
- LED lights 12 V or 24 V
- lightening
- manometer
- support leg
- safety bumper
- powder painting

Hydropneumatic accumulator and pressure gauge visible from the driver's seat, allow for smooth unloading and adjustment of pressure on a carrying way.



Optional equipment:

- rubber bar 50 mm
- steel bar 12/20 mm
- poliurethan bar 50 mm
- KOMBI bar 36 mm
- rubber - corundum bar 50 mm
- frame type I or II
- adapter for triangle
- hydraulic overload protection
- multifunctional steering panel / Plus
- support wheels (cpl.)
- sliding skids (cpl.)
- protection against snow throwing
- safety flags

The heavy-duty JUMP snow plow is designed for quick and effective clearing of accumulated snow, slush and ice. It has been specially designed and adapted to work at high speed. Therefore, it is perfect for expressways, main roads, as well as local and access roads. Modern, solid construction and appropriately selected weight of the plow allows removing large amounts of snow regardless of the degree of glaciation.

Main advantages:

- the unique mouldboard mechanism and the maintenance of a large three segment blade (from 35°) ensure that it can be used on any type of surface
- The transverse ground tracking on the frame in the range of $\pm 5^\circ$ and the swimming function (approx. 40 mm) enable the plow to be perfectly suited to the terrain
- unique spring and pressure protection (on the actuator) effectively protect the structure against overloads
- plastic mouldboard makes it easy to move snow and does not corrode
- The 45-degree steering angle to the right and left guarantees a very accurate discard of the scrapped snow
- aggregation with 80-160 hp tractors, loaders and urban cleaning vehicles via a frame system,
- KÜPER skids protect the plow from damage and absorb impacts



JUMP adapts perfectly to the profile of the traffic lane, it effectively eliminates excess snow, without damaging the surface.

The mouldboard is made of plastic, which eliminates the possibility of corrosion, and its large steering angle (45°) to the right and left guarantees a very accurate discard of the scrapped mass. JUMP is an excellent choice for extreme winter conditions.



Spring and pressure protection (on the actuator) effectively protect the structure against overloads.



SNOW PLOWS HEAVY DUTY CLASS

Olimp 300, Olimp 330, Olimp 300 Up, Olimp 330 Up H

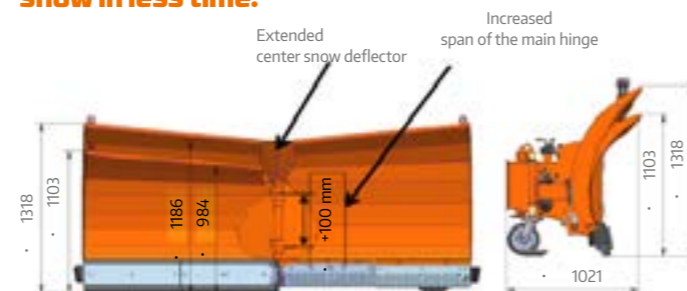


Heavy duty Olimp snow plows have been especially designed to operate in the most difficult weather conditions. Ideal for commercial as well as residential contractors. Perfect for snow and ice management of parking lots, side streets, back roads or

municipal streets, places with heavy snowfalls. The bold new design features an aggressive attack angle and precise curvature that delivers superior path clearing and snow-rolling action that moves more snow in less time.

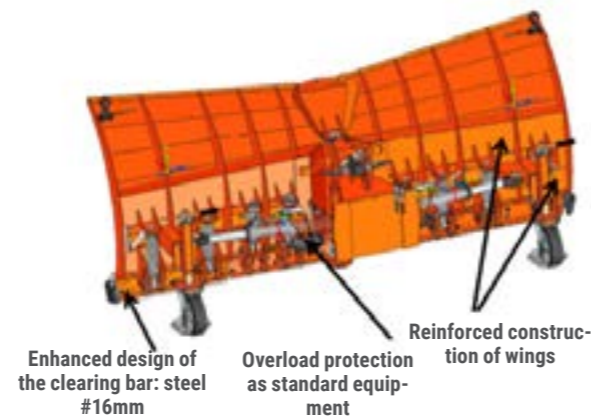
As compared to AlpS 301, Olimp 300 features:

- enlarged moldboards, approx. 200mm (8") higher
- increased main hinge span of 100 mm (4") - stronger headstock
- extended center snow deflector, keeps snow and ice off the windshield
- reinforced wing's design, multiple one-piece vertical ribs, heavy-gauge steel, heavy-duty caster wheels deliver proper support on paved and gravel surfaces
- standard-delivered safety overload device for wing cylinders
- strengthened lower moldboards with 16 mm thick metal sheet
- removable shield guards and turret prevent the vehicle's front glass pane from being covered with snow



Olimp range standard equipment:

- 2 independent shields
- stepless hydraulic adjustment of the shield
- inclined clearing bars
- hydraulic overload protection
- 3 - point linkage hitch Cat. II
- clearing bar at choice
- ground following (only with SaMASZ frame)
- electric connection 12 V (lighter socket)
- LED lights 12 V or 24 V
- protection against snow throwing
- support leg
- safety bumper
- powder painting



Optional equipment:

- rubber bar 50 mm
- steel bar 12/20 mm
- poliurethan bar 50 mm
- KOMBI bar 36 mm
- rubber - corundum bar 50 mm
- frame type I or II
- fixed hitch
- support wheels (cpl.)
- sliding skids (cpl.)
- safety flags



SNOW PLOWS HEAVY DUTY CLASS

POWER 330 C



The POWER 330C plough can be mounted on agricultural tractors and other vehicles equipped with a three-point linkage cat. II. The mouldboard consists

of three independent segments, secured by a lever mechanism with the possibility of adjusting the release force by means of tension springs.

Power range standard equipment:

- rolled shield
- separate shields
- stepless hydraulic adjustment of the shield
- inclined shield (3 parts)
- 3-point linkage hitch Cat. II
- clearing bar at choice
- protection against snow throwing
- electric connection 12 V (lighter socket)
- LED lights 12 V or 24 V
- support leg
- safety bumper
- powder painting

Optional equipment:

- rubber bar 50 mm
- steel bar 12/20 mm
- poliurethan bar 50 mm
- KOMBI bar 36 mm
- rubber - corundum bar 50 mm
- adapter for loader
- support wheels (cpl.)
- sliding skids (cpl.)
- road lights
- safety flags

Advantages:

- divided mouldboard - 3 independent segments
- spring safety device for tilting the segments of the mouldboard with adjustable force
- +/- 30° hydraulic mouldboard turning with overload valve protection
- transverse ground tracking ± 5°
- properly shaped outer corners of the mouldboard, allowing for a close drive with a plough under obstacles located at the side of the road
- easily overcomes large obstacles





SNOW PLOWS HEAVY DUTY CLASS

PoliS 300



POLI series snow ploughs equipped with a plastic mouldboard have been designed to work in particularly difficult conditions, where there are heavy winters and heavy snow. It is recommended for effective snow clearing on single and multi-lane roads (motorways, expressways, etc.). Mass, the coefficient of friction and corrosion have been significant-

ly reduced. POLI thoroughly and effectively removes both wet snow and slush.

The POLI H series is equipped with its own hydraulic system, which allows precise and independent manoeuvring of the mouldboards in the trucks without an integrated hydraulic system.



POLI range standard equipment:

- 8 mm HDPE polyethylene
- stepless hydraulic adjustment of the shield
- hitch – Municipal plate EN 15432 F1 + F2, DIN 76060
- clearing bar at choice
- electric connection 24 V
- version with hydraulic pump additionally equipped with steering panel
- road lights
- LED lights 24 V
- support leg
- safety bumper

Plow control system is exceptionally simple and easy in use. Plows can be mounted on any trucks equipped with face plate PN-EN 15432 type F1 (DIN 76060 Type A).

Shape of the shield is designed particularly to clear wet snow, and it also prevents throwing of snow dust onto front window screen of the vehicle. Vibrations of the shield installed on the plow are perfectly damped by a stable but flexible frame. Despite a small weight, the whole structure features high capacity to transfer forces which is necessary for an effective removal of wet, heavy snow.

Optional equipment:

- rubber bar 50 mm
- poliurethan bar 50 mm
- rubber - corundum bar 50 mm
- hydraulic unit with oil pump
- Plate EN 15432 - F1 DIN 76060
- support wheels (cpl.)
- sliding skids (cpl.)
- KÜPER Sliding skids (cpl.)
- safety flags



ROTARY SNOW BLOWER TORNADO 200 (H), TORNADO 251 (H)



Tornado up to 250 a high-performing snow thrower designed to clear snow from large, farm driveways, side roads, paved or unpaved paths as well as for snow removal from streets, parking lots or large squares. Able to operate in all weather conditions. It is suitable for removal of snowdrifts with the height of up to 1 m (3'3"). It works regardless of surface

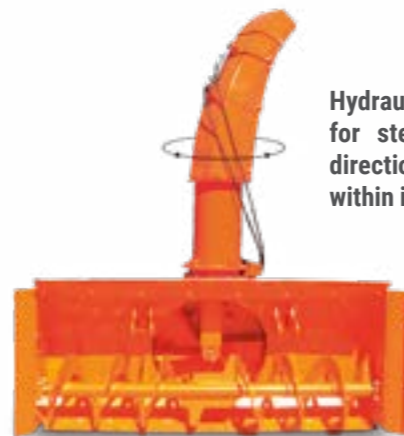
type thanks to the adjustable sliding skids. It has an efficient auger system with high throwing capacity. Operate on front or rear hitch with tractor power of more than 90 Hp. It picks-up and throws snow away, up to 30m (10'), with possibility of snow discharge onto a truck or a trailer.

Advantages:

- front or rear mounting possible
- adjustable, support sliding skids made of hard-wearing steel - will adapt to any surface
- work height can be extended with optional chute extension (e.g. for loading snow onto trailers)
- blowing chute can be adjusted hydraulically within its 360° range
- easy resetting for right or left PTO rotation
- throw angle adjustment
- auger equipped with replaceable, hardened steel cutting edges
- PTO shaft with friction clutch as a safety mechanism in case of auger overload or sudden stoppage

Tornado range standard equipment:

- hydraulic adjustment of blowing tube and blowing distance
- steered clearing bar with perforated part
- 3 - point linkage hitch Cat. II
- built - in overload clutch
- adjusted to left and right rotation of PTO
- PTO shaft



Hydraulic steering system allows for stepless setting of throw direction and chute rotation within its 360° range



TRACTOR SWEEPERS MOP 120, MOP 140, MOP 160, MOP 200 TRACTOR GRITTERS SAND 400, SAND 600



SWEEPERS - applications:

The machine is designed for sweeping with direct collection of road debris from the streets, squares, as well as an asphalt, concrete and cobbled sidewalks. Sweeper can be used for one-side operation, although collection bin must be demounted first. Useful for winter maintenance of residential streets, driveways, squares or intersections.

Standard equipment:

- hydraulic drive - one pair of hydraulic couplers
- collection bin
- support wheels
- mixed sweep (plastic and metal)
- 30° operating angle range

Optional equipment:

- hydraulic, bin discharge
- side broom
- sprayers to reduce the dust
- extended headstock for side broom version



GRITTERS - applications:

Spreader is designed to spread sand or sand/salt mix at the streets, alleys, sidewalks, etc. The unit is mounted on tractor's 3-point hitch and is driven by the PTO.



Advantages:

- simple operation
- sand, spreading amount, adjustment and uniform operating width
- SAND 400 H/600 H features hydraulic stop/realise mechanism





PROFESSIONAL SAND SPREADER

SAHARA 140, SAHARA 200, SAHARA 240,

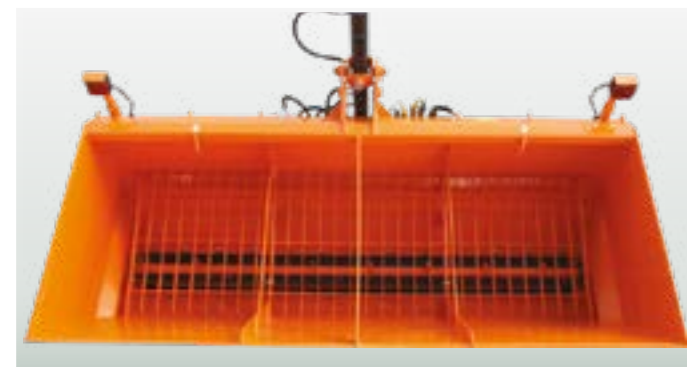


Applications:

- Sahara 240 - V = 1.8 m, is used for sand/salt spreading of the streets, roads or driveways. Are a very efficient alternative for smaller towns or neighbourhoods in snow maintenance
- spreading aggregate (grit) for construction purposes as well as street servicing and maintenance
- liming of lawns and football pitches
- spreading top soil on football pitches, golf fields and other green areas

Advantages:

- uniform material spread into demanded width with the use of dosing mechanism
- not dangerous for on side vehicles or pedestrians, does not cause any damage to passed-by areas
- spreading rate adjustment possible with rpm's change, of the dosing shaft, as well as with the right pressure setting of the rear discharge tray
- spreading top soil on football pitches, golf fields and other green areas



PROFESSIONAL SAND SPREADER

VORTEX 600, VORTEX 600E

GOBI 140, GOBI 140H

The **VORTEX** spreader is designed for spreading sand and salt mixtures on public roads and sidewalks. The disc spreading system ensures an even and precise spreading of sand on the streets and sidewalks. The intensity, width (up to 8.00 m) and the direction of spreading are electrically controlled

from the tractor cab.

The machine can be attached by the three-point linkage cat. II and is driven by the PTO shaft. Equipping of the spreader with the extension (optional) increases its capacity by 400l.

Standard equipment:

- PTO shaft
- safety bar
- safety cover (curtain)
- spreading regulation
- inspection window
- powder painting

Optional equipment:

- hydraulic drive
- additional top section 400 L (pc)
- spreading depended on speed of operation (GPS) - only with E version
- warning triangle

Advantages:

- spreading amount regulation
- fast sand discharge

PROFESSIONAL SAND SPREADER - GOBI 140, GOBI 140H



Main characteristics:

Gobi gritter is designed to spread sand or salt onto the sidewalks, streets, parking lots. Ideal for residential estates, squares or long, farm driveways. Owing to gravity discharge of spread material, the machine does not cause any damage to passed-by vehicles, pose any danger to pedestrians and cause any damage to lawns when spreading salt.

The machine is to be filled manually with shovel or loader. Gobi 100 is to be mounted on tractor's drawbar. Gobi 140 on the hitch.

Advantages:

- spreading amount regulation
- fast sand discharge

SNOW PLOWS - SMART, SMART K

NEW!

Plow type	Smart 120 (K)	Smart 150 (K)	Smart 180 (K)	Smart 200	Smart 220	Lite 150	Lite 180
Operating width max / min [cm]	120 / 102	150 / 127	180 / 152	200 / 169	220 / 180	150 / 139	169 / 187
Mouldboard height [cm]	64	64	64	64	64	56	69
Dimensions: l / w / h [cm]	122 / 68 / 76	152 / 68 / 76	182 / 68 / 76	202 / 68 / 76	222 / 68 / 76	157 / 58 / 61	62 / 187 / 69
Turning angle right / left	up to 35°	up to 35°	up to 35°	up to 35°	up to 35°	up to 27°	up to 27°
Mounting type	Cat. I (standard) or Cat. I narrow 400 mm (option) - distance between lower links						
Weight [kg]	120	130	140	150	170	130	145
Needed hydraulic connectors	2 (1 pair)						

Standard EQUIPMENT

- full-trip, folded moldboard
- hydraulic steering
- trip springs (4 springs)
- 3-point hitch Cat. I
- rubber, steel or poliurethane clearing bar (type of your choice)
- power supply 12 V (lighter socket)
- LED lights 12V or 24 V
- adjustable stand

Optional EQUIPMENT

- rubber, steel, poliurethane or Mutter-kombi clearing bar
- adapter for municipal triangle quick-hitch
- adapter for municipal triangle Cat. 0 (660 mm distance between lower links)
- additional trip-springs
- support wheels (cpl.)
- sliding skids (cpl.)

SNOW PLOWS - CITY

Plow type	City 150	City 180	City 200	City 220
Operating width max / min [cm]	150 / 132	180 / 158	200 / 175	220 / 195
Mouldboard height [cm]	59 / 68	59 / 70	59 / 72	59 / 74
Protection	Spring protection + torn off bolts on mounting frame			
Dimensions: l / w / h [cm]	151 / 72 / 80	181 / 75 / 82	201 / 77 / 84	227 / 77 / 85
Turning angle right / left	up to 30°	up to 30°	up to 30°	up to 30°
3-point hitch category	I	I	I	I
Weight [kg]	130	145	155	165
Mounting type	Frame or Cat. I narrow 400 mm - distance between lower links (option)			

Standard EQUIPMENT

- 2 independent, hydraulically steered wings + control panel
- trip-back clearing bar assembly
- clearing bar (type of your choice)
- ground following system (only with SaMASZ frame)
- power supply 12 V (lighter socket)
- LED lights 12V or 24 V
- adjustable stand
- curbing guard

Optional EQUIPMENT

- rubber, steel, poliurethane or Mutter-kombi clearing bar
- adaptation frames
- control panel - MULTIFUNCTION
- support wheels (cpl.)
- sliding skids (cpl.)
- marking flags

SNOW PLOWS - Uni

Plow type	Uni 180	Uni 200	Uni 220
Operating width max / min [cm]	180 / 155	200 / 170	220 / 190
Mouldboard height [cm]	80	80	80
Number of hydraulic connectors	2 (1-pair)	2 (1-pair)	2 (1-pair)
Dimensions: l / w / h [cm]	106 / 187 / 95	106 / 207 / 95	106 / 227 / 95
Turning angle right / left	up to 32°	up to 32°	up to 32°
3-point hitch category	I	I	I
Weight [kg]	190	200	210
Protection	Inclined shield + sheared bolts on mounting frame		

Standard EQUIPMENT

- full-trip, folded moldboard
- hydraulic steering
- trip-springs (6 adjustable trip-springs)
- adjustable approach angle
- ground following system (only with SaMASZ frame)
- rubber, steel or poliurethane clearing bar (type of your choice)
- power supply 12 V (lighter socket)
- LED lights 12V or 24 V
- adjustable stand
- curbing guard

Optional EQUIPMENT

- rubber, steel, poliurethane or Mutter-kombi clearing bar
- support wheels (cpl.)
- sliding skids (cpl.)
- marking flags

SNOW PLOWS - RAM

Plow type	RAM 250	RAM 270	RAM 300
Operating width max / min [cm]	250 / 218	270 / 235	300 / 260
Mouldboard height [cm]	75 / 85	75 / 85	75 / 85
Number of hydraulic connectors	2 (1-pair)	2 (1-pair)	2 (1-pair)
Dimensions: l / w / h [cm]	106 / 258 / 107	106 / 278 / 107	106 / 308 / 107
Turning angle right / left	up to 30°	up to 30°	up to 30°
Weight [kg]	280	300	330
Protection	Inclined shield + sheared bolts on mounting frame		

Standard EQUIPMENT

- 2 independent, hydraulically steered wings + control panel
- trip-back clearing bar assembly
- clearing bar (type of your choice)
- ground following system (only with SaMASZ frame)
- MASZ frame)
- power supply 12 V (lighter socket)
- LED lights 12 V or 24 V
- adjustable stand
- curbing guard

Optional EQUIPMENT

- additional rubber, steel, poliurethane or Mutter-kombi clearing bar
- other type of adapter
- support wheels (cpl.)
- hydraulic overload protection
- Type I or Küper sliding skids (cpl.)
- control panel - MULTIFUNCTION
- snow deflector
- marking flags

SNOW PLOWS - PSV

Plow type	PSV 161	PSV 181	PSV 201	PSV 231	PSV 251	PSV 271	PSV 301
Operating width max / min [cm]	163 / 142	183 / 160	203 / 178	233 / 206	253 / 220	273 / 242	303 / 269
Mouldboard height [cm]	80 / 90	80 / 91	80 / 93	80 / 94	80 / 95	80 / 96	80 / 98
Dimensions: l / w [cm]	97 / 175	99 / 195	100 / 215	100 / 245	103 / 265	103 / 285	103 / 315
3-point hitch category	I - II	I - II	I - II	II	II	II	II
Turning angle right / left	up to 30°	up to 30°	up to 30°	up to 30°	up to 30°	up to 30°	up to 30°
Weight [kg]	230	245	260	300	355	370	410
Protection	Spring protection + sheared bolts on mounting frame						

Standard EQUIPMENT

- 2 independent shields
- stepless hydraulic adjustment of the shield
- inclined clearing bars
- clearing bar at choice
- ground following (only with SaMASZ frame)
- electric connection 12 V (lighter socket)
- LED lights 12 V or 24 V
- support leg
- Safety bumper
- powder painting

Optional EQUIPMENT

- rubber bar 30 mm
- steel bar 8 mm
- poliurethan bar 30 mm
- KOMBI bar 25 mm
- rubber - corundum bar 40 mm
- support wheels (cpl.)
- sliding skids (cpl.)
- control panel - MULTIFUNCTION / PLUS
- protection against snow throwing
- safety flags

PLOWS WITH LIFTING ASSEMBLY AND HYDRAULICS - Seria PSV Up and PSV Up H

Plow type	PSV 231 Up	PSV 251 Up	PSV 271 Up	PSV 301 Up	PSV 231 Up H	PSV 251 Up H	PSV 271 Up H	PSV 301 Up H
Operating width max / min [cm]	233 / 202	253 / 225	273 / 235	303 / 262	233 / 202	253 / 225	273 / 235	303 / 262
Clearing bar height min / max [cm]	80 / 94	80 / 95	80 / 96	80 / 98	80 / 94	80 / 95	80 / 96	80 / 98
Dimensions: l / w / h [cm]	134 / 245 / 151	147 / 267 / 154	146 / 285 / 151	148 / 315 / 151	134 / 245 / 151	147 / 267 / 151	146 / 285 / 151	148 / 315 / 151
Turning angle right / left	up to 30°	up to 30°	up to 30°	up to 30°	up to 30°	up to 30°	up to 30°	up to 30°
Weight [kg]	450	505	520	555	520	575	585	630
Protection	Inclined clearing bars							
Mounting type	Municipal plate EN 15432 F1 + F2 (DIN 76060 - A + B)							

Standard EQUIPMENT

- own lifting system
- 2 independent shields
- stepless hydraulic adjustment of the shield
- inclined clearing bars
- ground following
- clearing bar at choice
- electric connection 12 V (lighter socket) / Electric connection 24 V (version with hydraulic pump)
- road lights
- LED lights 12 V or 24 V
- lightening
- manometer
- safety bumper
- powder painting

Optional EQUIPMENT

- rubber bar 50 mm
- steel bar 10/20 mm
- poliurethan bar 50 mm
- KOMBI bar 36 mm
- rubber - corundum bar 50 mm
- hydraulic unit with oil pump
- plate EN 15432 - F1 DIN 76060 (From the vehicle's side)
- support wheels (cpl.)
- sliding skids (cpl.)
- protection against snow throwing
- safety flags

Only PSV Up H:

Own hydraulic unit + oil pump + steering panel STANDARD UP H (24 V) - only in PSV UP H

HITCH FRAMES - PSV, RAM, Jump



SNOW PLOWS - Alps

Plow type	Alps 271	Alps 301	Alps 331	Alps 361	Alps 401
Operating width max / min [cm]	270 / 255	300 / 263	330 / 305	360 / 318	400 / 347
Mouldboard height [cm]	98 / 108	98 / 110	98 / 112	98 / 113	98 / 115
Turning angle right / left	up to 30°				
Number of the clearing bars (pcs)	4				6
Dimensions: l / w / h [cm]	135 / 285 / 110	135 / 315 / 113	135 / 345 / 116	135 / 375 / 123	135 / 415 / 123
Number of hydraulic connectors	2 (1-pair)				
Weight [kg]	650	730	800	865	900
Protection	Inclined clearing bars + sheared bolts on mounting frame (only in plows mounted on frames) and hyd. overload protection from type 361				

Standard EQUIPMENT

- 2 independent shields
- stepless hydraulic adjustment of the shield
- Inclined clearing bars
- hydraulic overload protection from 361 type
- clearing bar at choice
- ground following (only with SaMASZ

- frame
- electric connection 12 V (lighter socket)
- LED lights 12 V or 24 V
- support leg
- safety bumper
- powder painting

Optional EQUIPMENT

- rubber bar 50 mm
- steel bar 10/20 mm
- poliurethan bar 50 mm
- KOMBI bar 36 mm
- rubber - corundum bar 50 mm
- frame type I or II
- adapter for triangle
- hydraulic overload protection
- multifunctional steering panel / Plus
- support wheels (cpl.)
- sliding skids (cpl.)
- protection against snow throwing
- safety flags

TRUCK SNOW PLOWS - Seria Alps Up

Plow type	Alps 271 Up	Alps 301 Up	Alps 331 Up
Operating width max / min [cm]	250 / 270	300 / 263	330 / 290
Mouldboard height širok / bok [cm]	104 / 110	98 / 110	98 / 112
Number of the clearing bars (pcs)	4		
Protection	Inclined clearing bars+ Hyd. overload protection		
Turning angle right / left	up to 30°		
Number of hydraulic connectors	4 (2 pairs)		
Dimensions: l / w / h [cm]	129 / 270 / 118	315 / 113 / 135	345 / 116 / 135
Weight [kg]	815	880	900
Mounting type	Municipal plate EN 15432 F1 + F2 (DIN 76060 - A + B)		

SNOW PLOWS - JUMP

NEW!

Plow type	Jump 280	Jump 320
Operating width max / min [cm]	280 / 198	320 / 226
Mouldboard height center / side [cm]	122 / 107	-
Number of the clearing bars (pcs)	3	
Protection	Inclined clearing bars + torn off bolts on mounting frame and hydraulic overload protection	
Turning angle right / left	do 45°	
Number of hydraulic connectors	2 (1-pair)	
Dimensions: l / w / h [cm]	140 / 290 / 115	164 / 291 / 128
Weight [kg]	530	62

Standard EQUIPMENT

- polyethylene shield joint with 3 - section steel clearing bars
- stepless hydraulic adjustment of the shield
- exceptional spring protection
- clearing bar at choice
- protection against snow throwing Electric connection 12 V (lighter socket)
- LED lights 12 V / 24 V
- support leg
- safety bumpers
- powder painting

Optional EQUIPMENT

- rubber bar 50 mm
- steel bar 12/20 mm
- poliurethan bar 50 mm
- KOMBI bar 36 mm
- rubber - corundum bar 50 mm
- support wheels (cpl.)
- sliding skids (cpl.)
- protection against snow throwing
- safety flags

SNOW PLOWS - OLIMP

Plow type	Olimp 300	Olimp 330	Olimp 300 Up
Operating width max / min [cm]	263 / 300	290 / 330	263 / 300
Mouldboard height [cm]	118 / 132	118 / 134	118 / 132
Needed hydraulic connectors	4		
Dimensions: l / w / h [cm]	135 / 315 / 140	135 / 345 / 142	135 / 315 / 140
Turning angle right / left	up to 30°		
Mounting type	-Inclined clearing bars + Hyd. overload protection + sheared bolts bolts in mounting frame (only in version with mounting frame)		
Weight [kg]	900	925	1050
Mounting type	Municipal plate EN 15432 F1 + F2 (DIN 76060 - A + B)		

Standard EQUIPMENT

- 2 independent shields
- stepless hydraulic adjustment of the shield
- inclined clearing bars
- hydraulic overload protection
- 3 - point linkage hitch Cat. II
- clearing bar at choice
- ground following (only with SaMASZ
- frame
- Electric connection 12 V (lighter socket)
- LED lights 12 V or 24 V
- protection against snow throwing
- support leg
- safety bumper
- powder painting

Optional EQUIPMENT

- rubber bar 50 mm
- steel bar 12/20 mm
- poliurethan bar 50 mm
- KOMBI bar 36 mm
- rubber - corundum bar 50 mm
- frame type I or II
- adapter for triangle
- hydraulic overload protection
- multifunctional steering panel / Plus
- support wheels (cpl.)
- sliding skids (cpl.)
- safety flags

Only Olimp Up:

oil pump + steering panel STANDARD UP H (24 V) - only in PSV UP H

THREE - SHIELD SNOW PLOW - POWER

Plow type	Power 330 C
Operating width max. / min. [cm]	331 / 286
Mouldboard height [cm]	125
Number of the clearing bars (pcs)	3
Protection	Inclined shield (3 parts)
Turning angle right / left	up to 30°
Number of hydraulic connectors	2 (1-pair)
Dimensions Length / width / height [cm]	194 / 335 / 150
Weight [kg]	970

Standard EQUIPMENT

- rolled shield
- separate shields
- stepless hydraulic adjustment of the shield
- inclined shield (3 parts)
- 3-point linkage hitch Cat. II
- clearing bar at choice
- protection against snow throwing
- electric connection 12 V (lighter socket)
- LED lights 12 V or 24 V
- support leg

Optional EQUIPMENT

- rubber bar 50 mm
- steel bar 12/20 mm
- poliurethan bar 50 mm
- KOMBI bar 36 mm
- rubber - corundum bar 50 mm
- sdapter for loader
- support wheels (cpl.)
- sliding skids (cpl.)
- road lights
- safety flags

TRUCK SNOW PLOWS - PoliS

Plow type	PoliS 300
Operating width max / min [cm]	300 / 275
Shield's height [cm]	109
Dimensions: l / w / h [cm]	177 / 314 / 109
Turning angle right / left	up to 30°
Number of hydraulic connectors	4 (2 pairs)
Weight [kg]	420 / 520
Mounting type	Plate EN 15432 F1 (DIN 76060 - A)
Protection	Deflected shield and inclined clearing bars

Standard EQUIPMENT

- 8 mm HDPE polyethylene
- stepless hydraulic adjustment of the shield
- hitch – municipal plate EN 15432 F1 + F2, DIN 76060
- clearing bar at choice
- electric connection 24 V
- version with hydraulic pump additionally equipped with steering panel
- road lights
- LED lights 24 V
- support leg
- safety bumper

Optional EQUIPMENT

- rubber bar 50 mm
- poliurethan bar 50 mm
- rubber - corundum bar 50 mm
- hydraulic unit with oil pump
- plate EN 15432 - F1 DIN 76060 (From the vehicle's side) 169.01.KP.00
- support wheels (cpl.)
- sliding skids (cpl.)
- KÜPER Sliding skids (cpl.)
- safety flags

Only PoliS:

Inclined clearing bars tension force adjustment

Only Poli H / PoliS H:

Inclined clearing bars tension force adjustment
Oil pump + steering panel STANDARD UP H (24 V) - only in PSV UP H

SNOW BLOWER - TORNADO

Plow type	TORNADO 200	TORNADO 200 H	TORNADO 250	TORNADO 250 H
Operating width [cm]	200	200	250	250
Working height [cm]	90	90	90	90
Working speed [km/h]	up to 3	up to 3	up to 3	up to 3
RPM	540 / 1000	-	540 / 1000	-
Tractor's power [HP]	from 80	from 80	from 90	from 90
Needed hydraulic connectors	4 (2 pairs)	6 (3 pairs)	4 (2 pairs)	6 (3 pairs)
Capacity of hydraulic pump [L/min]	-	120	-	120
Snow blowing direction	up to 360°			
Distance of throwing [m]	do 15		up to 30	
3-point hitch category	II	II	II	II
Dimensions [cm] L / W / H	142 / 205 / 210	142 / 205 / 210	142 / 255 / 210	142 / 255 / 210
Weight [kg]	680		750	

Standard EQUIPMENT

- hydraulic adjustment of blowing tube and blowing distance
- steered clearing bar with perforated part
- 3 - point linkage hitch Cat. II
- built - in overload clutch
- adjusted to left and right rotation of PTO
- PTO shaft

Optional EQUIPMENT

- extension of blowing tube

SAND SPREADER - SAHARA

Type	SAHARA 140	SAHARA 200	SAHARA 240
Operating width [cm]	140	200	240
Transport width [cm]	164	224	264
Tractor's power [HP]	from 50	from 50	from 50
3-point hitch category	II	II	II
Mounting type	3-point linkage cat. II		
Oil demand [l / min.]	10 - 40	10 - 40	10 - 40
Oil pressure [bar]	150	150	150
Working speed [km / h]	15		
Capacity [m³]	0,50	1,40	1,60
Dimensions [cm] L / W / H	90 / 164 / 105	130 / 224 / 130	130 / 264 / 130
Weight [kg]	285	620	690
Weight with sand [kg]	do 1075	up to 2900	up to 3500

Standard EQUIPMENT

- hydraulic drive
- dosing adjustment
- quick unloading
- drive from truck's hydraulics

SAND SPREADER - SAND

Type	SAND 400	SAND 600
Operating width [cm]	up to 300	up to 300
Dosing system	spinner-plate	spinner-plate
Mounting type	3-point linkage cat. II	
Capacity [m³]	0,32	0,4
Operating speed [km/h]	up to 25	up to 25
Driving speed [km/h]	9	9
Dimensions: l / w / h [cm]	91 / 146 / 128	124 / 146 / 130
Working speed [km / h]	9	
Weight with sand [kg]	up to 500	up to 730
Weight [kg]	105	130

Standard EQUIPMENT

- Spreading regulations

Optional EQUIPMENT

- Hydraulically regulated gate
- Hydraulic drive

SWEEPERS - MOP

Type	MOP 120	MOP 140	MOP 160	MOP 200
Operating width [cm]	120	140	160	200
Brush rpm	140-160	140-160	140-160	140-160
Brush diameter [cm]	60	60	60	60
Working speed [km / h]	up to 10	up to 10	up to 10	up to 10
Litter container's capacity [dm³]	70	90	130	170
Dimensions L / W / H [cm]	140 / 140	160 / 140	180 / 140	200 / 140
Weight [kg]	260	275	310	320

Optional EQUIPMENT

- hydraulic, bin discharge
- side broom
- sprayers to reduce the dust
- extended headstock for side broom version

SAND SPREADER - GOBI

Type	GOBI 100	GOBI 140	GOBI 140 H
Operating width [cm]	100	140	140
Transport width [cm]	118	156	156
Tractor's power [HP]	from 15	from 20	from 20
Mounting type	Drawbar	lower links of 3 - point linkage cat. II	
Capacity [m³]	0,4	1,5	1,5
Dimensions L / Sz / W [cm]	179 / 180 / 97	265 / 156 / 153	265 / 156 / 153
Oil demand [l / min.]	-	-	10 - 40
Oil pressure [bar]	-	-	150
Weight with sand [kg]	up to 850	up to 3000	up to 3050
Weight [kg]	185	670	670

Standard EQUIPMENT

- hydraulically regulated bar (Gobi 140 H)
- spreading regulations
- fast unloading

Optional EQUIPMENT

- road lights

PROFESSIONAL SAND SPREADER - VORTEX

Type	Vortex 600	Vortex 600 E
Working width [m]		1,5 - 8
Steering	mech.	elec.
Mounting type	3 - point linkage cat. II	
Tractor's power [HP]	from 60	
max. working speed [km / h]	up to 12	
max. transport speed [km / h]	up to 25	
Dimensions [cm] Length / width / height	100 / 126 / 130	
RPM	540	
Disc rotational speed	270 rpm. (with 540 rpm on PTO)	
Weight [kg]	200	

Standard EQUIPMENT

- PTO shaft
- safety bar
- safety cover (curtain)
- spreading regulation
- inspection window
- powder painting

Optional EQUIPMENT

- hydraulic drive
- additional top section 400 L (pc)
- spreading depended on speed of operation (GPS) - only with E version
- warning triangle

Electrophoretic cathode metal coating (E-COAT) - the way for a long surface life

Cataphoretic painting is used to coat elements that require coatings with significant corrosion resistance. Painting workpieces of SaMASZ machines is carried out on a fully automated line with a total length of 900 m. Each stage of the process is constantly monitored and recorded, which ensures the repeatability of the process as well as the highest quality of the coatings obtained.

The technology is always individually tailored to the characteristics of the workpiece and meets restrictive standards. Zinc phosphate surface preparation and KTL painting allow even the most complicated shapes with hard to reach workpiece slots to be covered. Such a coating guarantees the highest anti-corrosion resistance, which is more than 3 times higher than in the case of the standard iron phosphating.

This is extremely important, as it allows for a perfect surface finish. A well-equipped laboratory helps to monitor process parameters and coating quality, which translates into high resistance to weather conditions, corrosion, chemical and mechanical protection and aesthetic appearance.

Advantages:

- high quality of the coating
- covering complex shapes
- precise control of the coating thickness
- corrosion protection
- chemical protection
- mechanical protection



EXAMPLES OF PLOW MOUNTING WITH DIFFERENT FRAME AND ADAPTER CARRIERS





SaMASZ Sp. z o.o.

**ul. Trawiasta 1
16-060 Zabłudów
Poland**

**tel.: +48 85 664 70 31
e-mail: export@samasz.pl**

www.samasz.com

Your dealer:



Passion for work and constant search for the best solutions are ideas that have guided us from the beginning and have become the key to success.

The main factors contributing to the dynamic development of the company are close contact with the client and openness to his needs. It is through partnership dialogue with our current and future customers, meeting their expectations and needs, that we create and strengthen the foundations for dynamic development.

With the goal of continuous development, we invest in research and development. We employ the most talented university graduates who are not only experts in their fields, but also bring professionalism and passion to what they do. You can always count on their competence and reliability.

Today SaMASZ is a leader in Poland and one of the leading European producers of green forage machines. Our offer includes over 300 types of different machines: disc mowers, tedders, rakes, mixer feeders, flail mowers, extension arms, snow plows and sweepers.

Production is currently carried out in Zabłudów (Podlaskie Voivodeship), in a new factory, launched in 2018, employing over 800 people. SaMASZ dynamically develops export sales. About 65% of the company's production goes to over 50 countries around the world. The company's foreign branches are: SaMASZ Russia, SaMASZ North America LLC, SaMASZ BVBA Belgium - the Netherlands. The TOP 10 largest foreign markets are Germany, Russia, the United States, Canada, France, Ireland, Latvia, Italy, Australia, the Netherlands and Switzerland. Machines with the SaMASZ logo work on the meadows of Africa and South America. China, Japan, Australia and New Zealand.

Our main goal is to constantly modernize and improve the design of our machines and to implement the highest technological achievements into the production processes in order to achieve world-class quality. We realize that in the face of changes taking place in the modern world, customers are looking for trustworthy business partners, which is why we have the ambition to be perceived as a recognized, reliable and professional manufacturer.

